

Filament Wound Sand Filter



Sand Filtration

The oldest and most popular method of filtration is sand. It operates on the basis of "depth filtration"; dirt is driven through the sand bed and trapped in minute spaces between the particles of sand. Initially, a clean bed will remove larger particles and then as the sand bed starts to load up, it will remove finer particles.

Minimal Maintenance

Filament Wound Fibreglass sand filters utilise a Multiport valve to control the flow of water within the filter vessel.

Cleansing the filter simply requires turning the Multiport lever from the "filter" position to the "backwash" position.

The flow of water is then reversed through the sand bed, flushing the trapped particles to the drain.

Filament Wound Sand Filter



Clean Water Through Superior Technology

Filament Wound Sand Filter

Aquaswim Filament Wound Fibreglass Filters embody the latest in fibreglass winding technology. Aquaswim's digitally controlled filament winding machine faultlessly winds continuous strands of fibreglass filament to create a filter vessel with refined consistency and superior quality.

The use of corrosion-resistant, abrasion proof and state-of-the-art fabrication techniques has produced a filter that is able to stand up to environmental extremes.

Proven Durability

Aquaswim filament wound fibreglass filters are perfectly suited to the constant increases and decreases in pressure experienced by sand filters. Accelerated cyclic testing has shown that even after simulating 20 years of use, Waterco fibreglass filters withstood cyclic wear and tear better than most other filters in its class.

Warranty

Aquaswim shows its ultimate confidence in its range of Filament wound fibreglass filters by offering a 10-year* tank warranty and 1 year warranty on all other components.

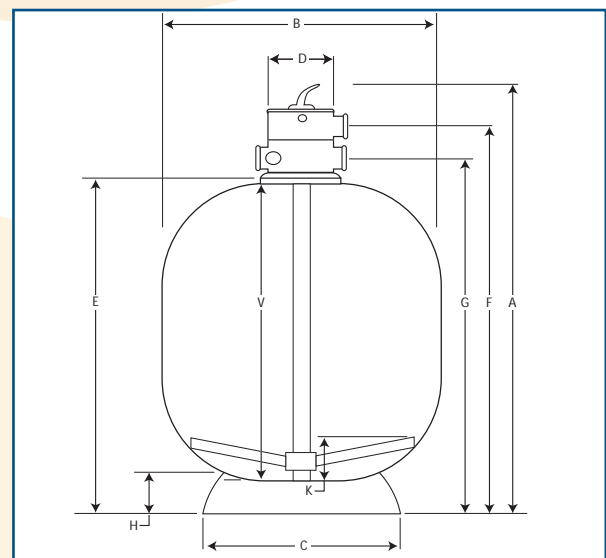
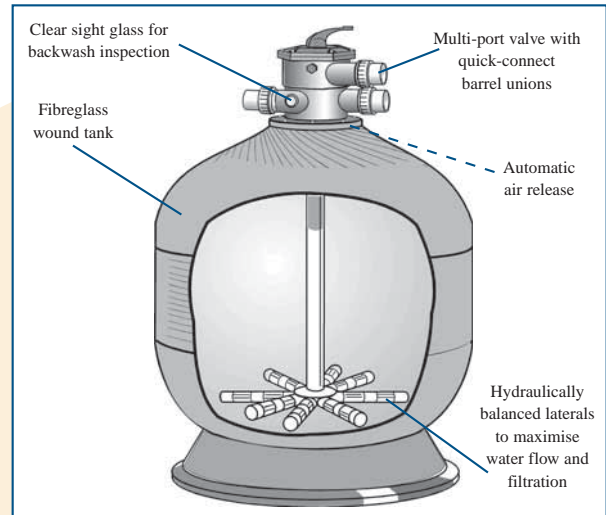
* Commercial applications attract a 5-year (1 year full plus 4 years pro rata) tank warranty.

Technical Data

Model No.	Inner Diameter (mm)	Bed Depth (mm)	Valve Size (mm)	Filter Area (sq. m)	Sand 16/30 (litre)	Sand 16/30 (kg)	Residential		Commercial	
							Max. Flow (lpm)	Max. Pool Size (litres)	Max. Flow (lpm)	Max. Pool Size (litres)
S600	600	295	40	0.29	110	160	226	81,400	170	40,800
S702	700	340	50	0.40	137	200	308	110,800	231	55,400
S750	750	340	50	0.46	151	220	353	127,200	265	63,600
S800	800	420	50	0.50	185	270	402	144,700	302	72,500

Residential 48m³/hr/m² Commercial 36m³/hr/m².

*Flow rate is limited by the port size, max flow for 50mm is 510 lpm



Filter Dimensions (mm)

Model	A	B	C	D	E	F	G	H	V	K
S600	968	622	540	180	721	832	778	88	620	136
S702	992	723	620	220	722	871	791	90	652	122
S750	1132	772	620	220	867	1014	932	90	773	127
S800	1077	810	620	220	807	956	875	90	713	111



NSW	QLD	VIC/TAS	WA	SA/NT
Sydney (Head Office)	Brisbane	Melbourne	Perth	Adelaide
Tel: (02) 9898 8686	Tel: (07) 3299 9955	Tel: (03) 9879 8855	Tel: (08) 9273 1900	Tel: (08) 8244 6000
Fax: (02) 9898 1754	Fax: (07) 3299 9911	Fax: (03) 9879 5143	Fax: (08) 9273 1999	Fax: (08) 8244 6011

DISTRIBUTED BY

ZZA0505 07/04

In the interest of providing better quality and value we are constantly improving and updating our product. Consequently, pictures and information on our brochures may sometimes vary slightly from models available.