

Thermoplastic
Sand Filter



Thermoplastic Sand Filter

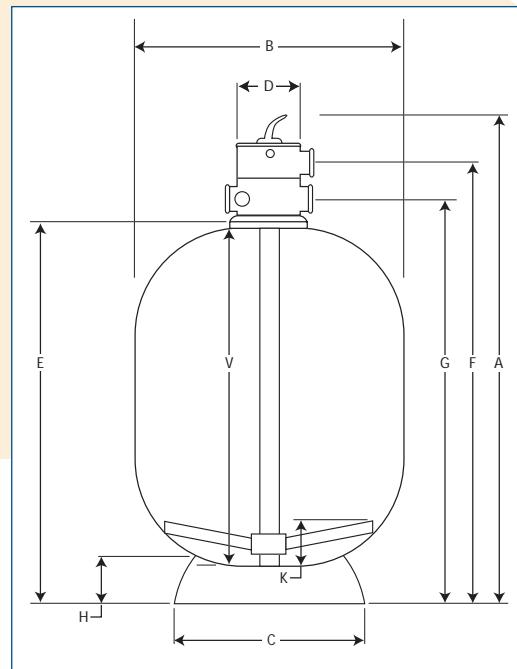
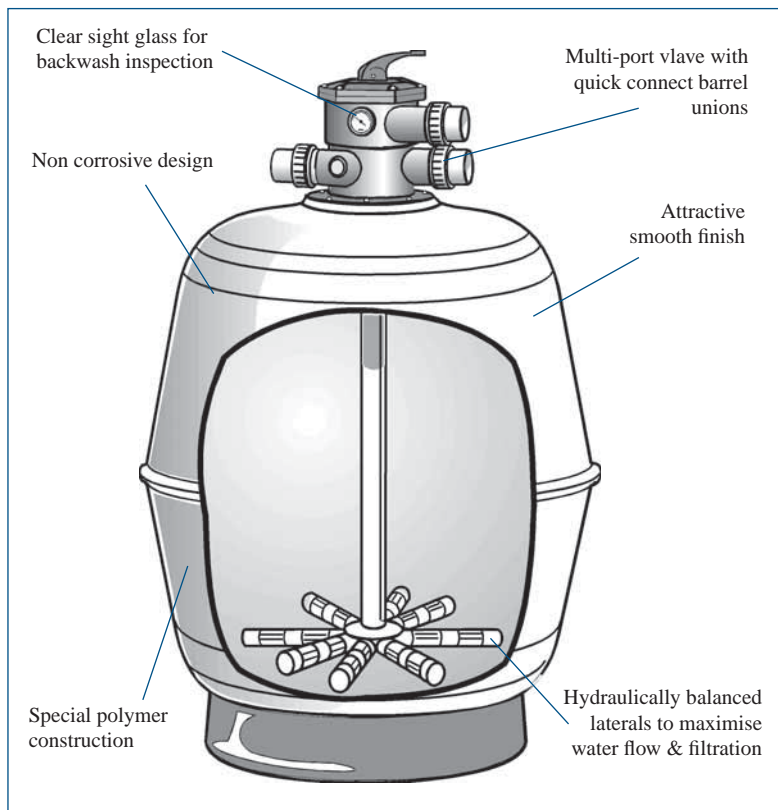


Clean Water Through Superior Technology

Thermoplastic Sand Filter

Thermoplastic Construction

Incorporating the latest advances in thermoplastic technology, Aquaswim Thermoplastic Sand Filters feature a polymer mix that's abrasion-proof for long lasting performance and durable protection against sand and water.



Model	A	B	C	D	E	F	G	H	V	K
T400	775	460	280	180	530	642	584	34	481	89
T500	810	550	360	180	565	677	619	42	495	108
T600	847	650	450	180	602	714	656	70	539	115

Model No.	Inner Dia. (mm)	Valve Size (mm)	Filter Area (sq. m)	Sand 16/30 (litres)	Sand 16/30 (kg)	Bed Depth (mm)	Max. Flow (lpm)	Max. Pool Size (litres)
T400	400	40	0.13	27	40	160	101	36,400
T500	500	40	0.20	62	90	250	157	56,500
T600	600	40	0.28	82	120	250	226	81,400

Warranty

Aquaswim is proud to show its ultimate confidence in its range of Thermoplastic Filters by offering a 10-year (5 years full plus 5 years pro rata)* tank warranty and 1 year warranty on all other components.

* Commercial applications carry a 1 year warranty

DISTRIBUTED BY



NSW Sydney (Head Office) Tel: (02) 9898 8600 Fax: (02) 9898 1877	QLD Brisbane Tel: (07) 3299 9900 Fax: (07) 3299 9911	VIC/TAS Melbourne Tel: (03) 9879 5141 Fax: (03) 9879 5143	WA Perth Tel: (08) 9273 1900 Fax: (08) 9273 1999	SA/NT Adelaide Tel: (08) 8244 6000 Fax: (08) 8244 6011	ACT Distributor Canberra Tel: (02) 6280 6476 Fax: (02) 6239 139
--	--	---	--	--	---

In the interest of providing better quality and value we are constantly improving and updating our product. Consequently, pictures and information on our brochures may sometimes vary slightly from models available.

ZZA0514 07/04